



Ground Power Connectors



INTRODUCING...

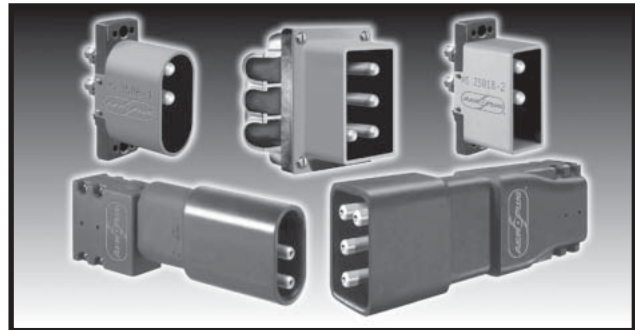
AeroPlug®

The high-quality alternative to existing attachable designs.

Based on a proven and reliable design, **AeroPlug®** connectors and cable assemblies are designed to meet the appropriate military standards.

Product is available from our manufacturing and repair facility, as well as stocking locations on both coasts.

AeroPlug®... For all your ground power connector needs.



Assembly Information Page 3
Exploded View and Military Numbers

AC Plugs (6-Pole) Page 4
MS25486 Style

AC Plugs (6-Pole) Page 5
Part Numbers, Military Numbers

AC Cable Assemblies (6-Pole) Page 6
MS90328 Style, MIL-C-5756 Cable

AC Receptacles (6-Pole) Page 7
MS90362, MS17845-1, MS3505-1

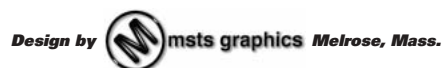
DC Plugs (3-Pole) Page 8
MS25488 Style

DC Plugs (3-Pole) Page 9
Miscellaneous DC Styles

DC Cable Assemblies (3-Pole) Page 10
MS90347 Style, MIL-C-5756 Cable

DC Receptacles (3-Pole) Page 11
MS3506-1, MS25018-2

©2001 Nabson, Inc. All Rights Reserved.



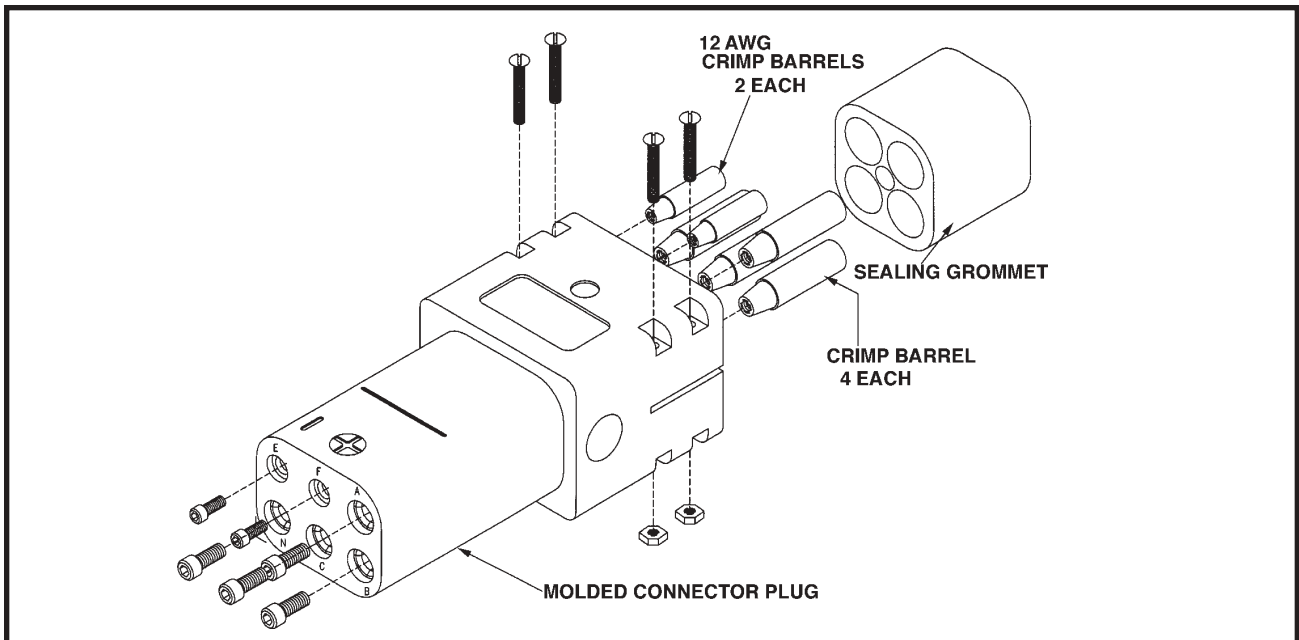
**Nabson, Inc. 480 Neponset Street - Unit 10c Canton, Massachusetts 02021 USA
Tel (781) 821-9622 - Fax (781) 821-9627**



Assembly Information

The reliable **AeroPlug**® design allows you to replace damaged ground power connectors or make complete assemblies...

1. Cut and strip cables
2. Attach crimp barrels to cable
3. Secure crimped cables to connector
4. Secure sealing grommet to connector
5. Inspect assembly and place in service



| AeroPlug® PART NUMBER | MS ATTACHABLE CONNECTOR | FOR MS CABLE ASSEMBLIES |
|----------------------------------|------------------------------------|--------------------------------------|
| CP1623-1 | MS25486-16 | MS90328 -13, -14, -15, -16, -17, -18 |
| CP1623-2 | MS25486-17 | MS90328 -19, -20, -21, -22, -23, -24 |
| CP1623-3 | MS25486-30 | MS90328 -25, -26, -27, -28, -29, -30 |
| CP1623-4 | MS25486-31 | MS90328 -31, -32, -33, -34, -35, -36 |
| CP1765-1 | MS25488-25 | MS90347 -7, -8, -9, -10, -11, -12 |
| CP1765-2 | MS25488-26 | MS90347 -13, -14, -15, -16, -17, -18 |
| CP1765-3 | MS25488-27 | MS90347 -19, -20, -21, -22, -23, -24 |

Nabson, Inc. 480 Neponset Street - Unit 10c Canton, Massachusetts 02021 USA
Tel (781) 821-9622 - Fax (781) 821-9627

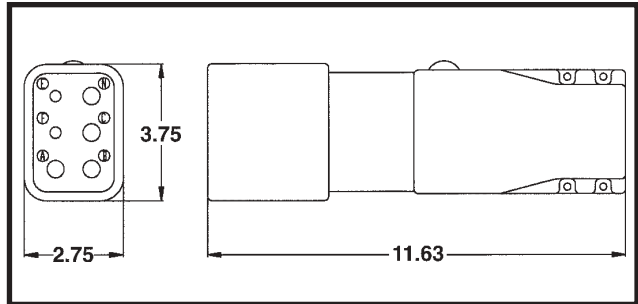
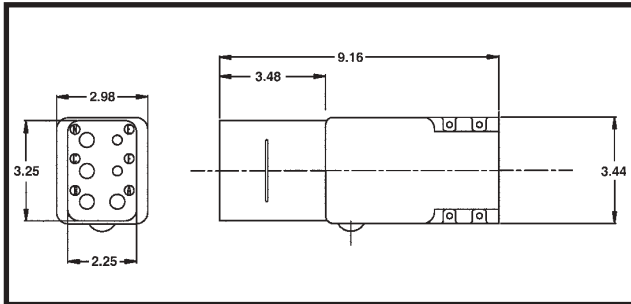
AC Plugs (6-Pole)



6-Pole Plug



6-Pole Portable Receptacle



Both 6-Pole and 3-Pole **AeroPlug**[®] connectors are designed to meet all the requirements of MIL-C-7974D for attachable connector plugs and complete cable assemblies.

Molded of Hypalon, they have excellent abrasion and chemical resistance. Power contacts are silver-plated copper with a minimum of 90% IACS conductivity.

AeroPlug[®] connectors are available in a wide variety of cable sizes and configurations to meet all your ground power connector needs. Standard part numbers are listed in the catalog.

Consult the factory for special cable sizes and configurations.



AC Plugs (6-Pole)

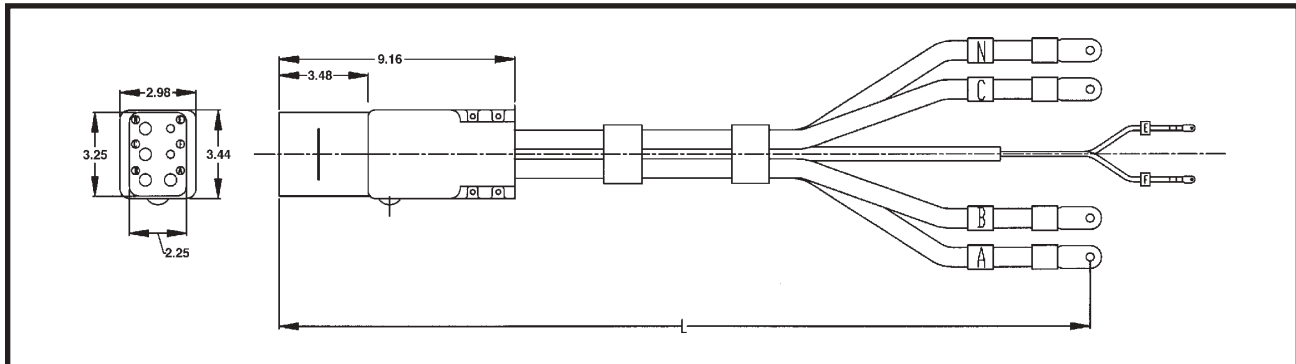
| AeroPlug® PART NUMBER | MILITARY PART NO. | CABLE ACCOMODATION | AeroPlug® PORT RECEPTACLE | CONFIG. |
|--------------------------|----------------------|---|------------------------------|---------|
| CP1623-1 | MS25486-16 | 4-1/0 MIL-C-5756 SINGLE CONDUCTOR | CR1623-1 | |
| CP1623-2 | MS25486-17 | 4-2/0 MIL-C-5756 SINGLE CONDUCTOR | CR1623-2 | |
| CP1623-5 | | 4-2/0 WELDING SINGLE CONDUCTOR | CR1623-5 | |
| CP1623-6 | | 4-#2 WELDING SINGLE CONDUCTOR | CR1623-6 | |
| CP1623-7 | | 4-#2 TYPE W MULTICONDUCTOR | CR1623-7 | |
| CP1623-8 | | 4-#6 TYPE W MULTICONDUCTOR | CR1623-8 | |
| CP1623-3 | MS25486-30 | 4-1/0 AND 1-#12 TWIN CONDUCTOR MIL-C-5756 | CR1623-3 | |
| CP1623-4 | MS25486-31 | 4-2/0 AND 1-#12 TWIN CONDUCTOR MIL-C-5756 | CR1623-4 | |
| CP1623-9 | | 4-#4 AND 1-#12 TWIN CONDUCTOR MIL-C-5756 | CR1623-9 | |
| CP1623-10 | | 4-2/0 WELDING AND 1-#12 TWIN CONDUCTOR | CR1623-10 | |
| CP1623-11 | | 4-1/0 WELDING AND 1-#12 TWIN CONDUCTOR | CR1623-11 | |
| CP1623-12 | | 4-#8 WELDING AND 1-#12 TWIN CONDUCTOR | CR1623-12 | |
| CP1623-13 | | 3-#2, 1-#6, 2-#12 CVSF MULTICONDUCTOR | CR1623-13 | |

Consult the factory for special cable sizes and configurations.

Nabson, Inc. 480 Neponset Street - Unit 10c Canton, Massachusetts 02021 USA
Tel (781) 821-9622 - Fax (781) 821-9627



AC Cable Assemblies (6-Pole)

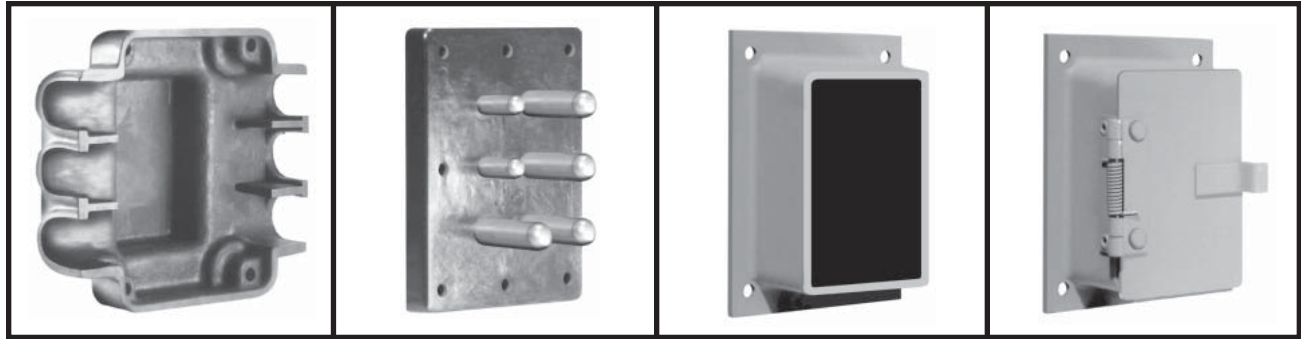


| AeroPlug® PART NUMBER | LENGTH FT. | MILITARY PART NO. | CABLE DESCRIPTION | ASSEMBLY CONFIGURATION |
|--|-----------------------------------|--|---|---------------------------|
| CTC90328-13 CTC90328-14 CTC90328-15 CTC90328-16 CTC90328-17 CTC90328-18 | 20 30 40 60 80 100 | MS90328-13 MS90328-14 MS90328-15 MS90328-16 MS90328-17 MS90328-18 | 4-1/0 AWG SINGLE CONDUCTORS, NO CONTROL LEADS, E AND F SHUNTED IN PLUG, SILVERPLATED CONTACTS, AND NON-METALLIC BANDS | |
| CTC90328-19 CTC90328-20 CTC90328-21 CTC90328-22 CTC90328-23 CTC90328-24 | 20 30 40 60 80 100 | MS90328-19 MS90328-20 MS90328-21 MS90328-22 MS90328-23 MS90328-24 | 4-2/0 AWG SINGLE CONDUCTORS, NO CONTROL LEADS, E AND F SHUNTED IN PLUG, SILVERPLATED CONTACTS, AND NON-METALLIC BANDS | |
| CTC90328-25 CTC90328-26 CTC90328-27 CTC90328-28 CTC90328-29 CTC90328-30 | 20 30 40 60 80 100 | MS90328-25 MS90328-26 MS90328-27 MS90328-28 MS90328-29 MS90328-30 | 4-1/0 AWG SINGLE CONDUCTORS, 1-12/2 CONTROL LEAD, SILVERPLATED CONTACTS, AND NON-METALLIC BANDS | |
| CTC90328-31 CTC90328-32 CTC90328-33 CTC90328-34 CTC90328-35 CTC90328-36 | 20 30 40 60 80 100 | MS90328-31 MS90328-32 MS90328-33 MS90328-34 MS90328-35 MS90328-36 | 4-2/0 AWG SINGLE CONDUCTORS, 1-12/2 CONTROL LEAD, SILVERPLATED CONTACTS, AND NON-METALLIC BANDS | |

Consult the factory for special cable sizes and configurations.

**Nabson, Inc. 480 Neponset Street - Unit 10c Canton, Massachusetts 02021 USA
Tel (781) 821-9622 - Fax (781) 821-9627**

AC Receptacles (6-Pole)

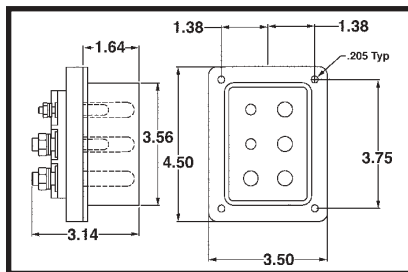


Rear Cover

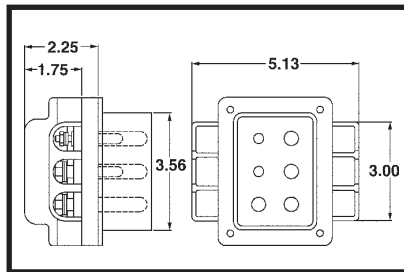
Receptacle

Shield

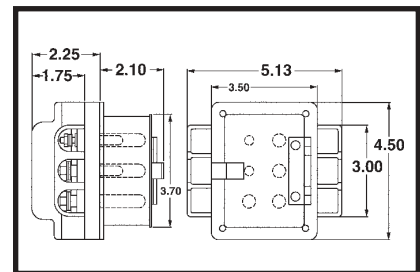
Snap Cover



Receptacle with Shield



Receptacle with Shield and Rear Cover



Receptacle with Rear Cover and Snap Cover

| AeroPlug® PART NUMBER | MILITARY PART NO. | DESCRIPTION | MATING PLUG AND CABLE ASSEMBLY |
|----------------------------------|------------------------------|--|--|
| AOP-ACR-1 | MS90362-1 | RECEPTACLE W/SHIELD | CP1623 PLUGS AND CTC90328 CABLES |
| AOP-ACR-3 | MS90362-3 | RECEPTACLE ONLY | |
| AOP-ACR-4 | MS90362-4 | RECEPTACLE W/SHIELD AND REAR COVER | |
| AOP-ACR-5 | MS17845-1 | SHIELD ONLY | |
| AOP-ACR-6 | MS3505-1 | REAR COVER ONLY | |
| AOP-ACR-7 | - | RECEPTACLE W/SHIELD, REAR COVER AND SNAP FRONT COVER | |

Both 6-Pole and 3-Pole receptacles meet all the requirements of MIL-C-81790. Bases are molded of high-strength reinforced polyester. Contacts are silver-plated copper with a minimum of 90% IACS conductivity. Receptacles are available in a variety of styles to meet all your ground power connector needs.

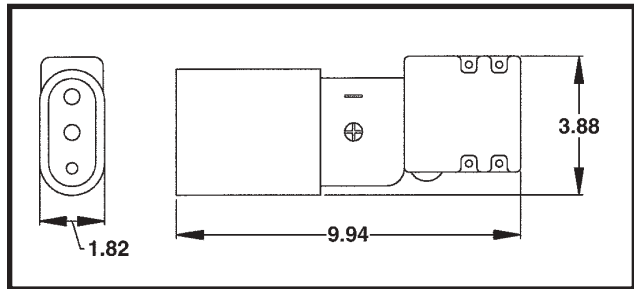
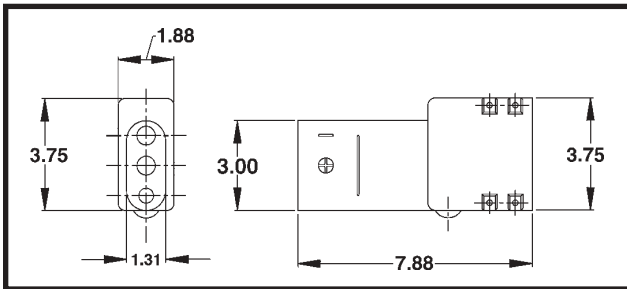
DC Plugs (3-Pole)



3-Pole Plug



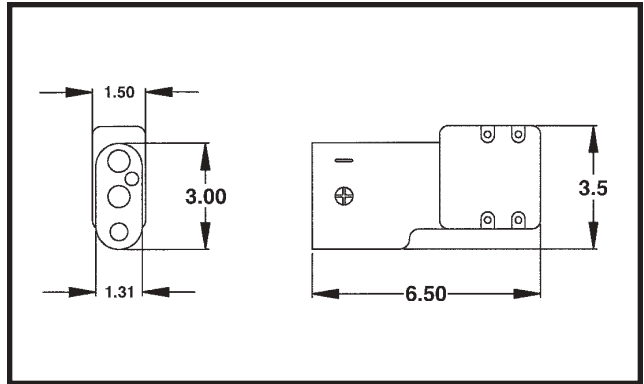
3-Pole Portable Receptacle



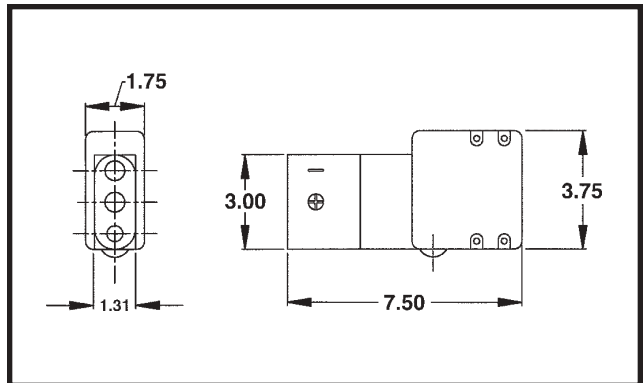
| AeroPlug® PART NUMBER | MILITARY PART NO. | CABLE ACCOMODATION | AeroPlug® PORTABLE RECEPTACLE NO. | CONFIG. |
|----------------------------------|------------------------------|--------------------------------------|--|----------------|
| CP1765-1 | MS25488-25 | 2-1/0 MIL-C-5756 SINGLE CONDUCTOR | CR1765-1 | |
| CP1765-2 | MS25488-26 | 2-2/0 MIL-C-5756 SINGLE CONDUCTOR | CR1765-2 | |
| CP1765-3 | MS25488-27 | 2-4/0 MIL-C-5756 SINGLE CONDUCTOR | CR1765-3 | |
| CP1765-4 | | 2-2/0 WELDING SINGLE CONDUCTOR | CR1765-4 | |
| CP1765-5 | | 2-4/0 OVAL TWIN CONDUCTOR | CR1765-5 | |

Consult the factory for special cable sizes and configurations.

DC Plugs (3-Pole)



| AeroPlug® PART NUMBER | MILITARY PART NO. | CABLE ACCOMODATION | AeroPlug® RECEPTACLE NO. | CONFIG. |
|----------------------------------|------------------------------|---|-------------------------------------|----------------|
| AOP-DCP-1 | OVAL FRONT | 2-4/0, 1-#12 MIL-C-5756 OVAL MULTI CONDUCTOR | AOP-DCR-1 | |

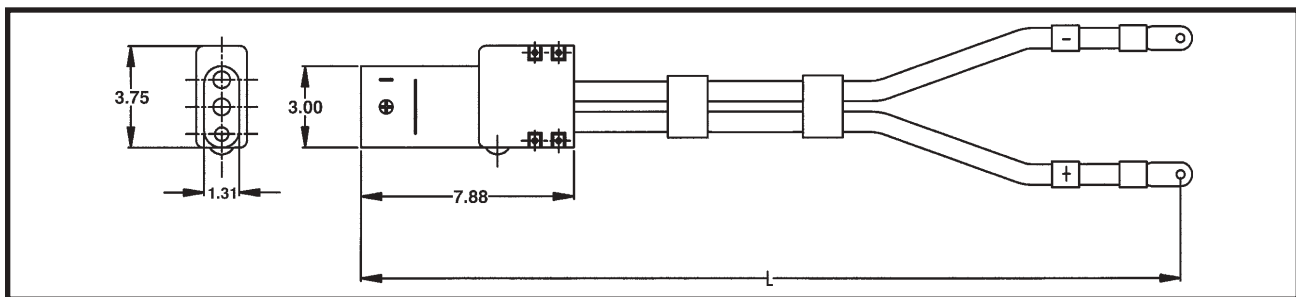
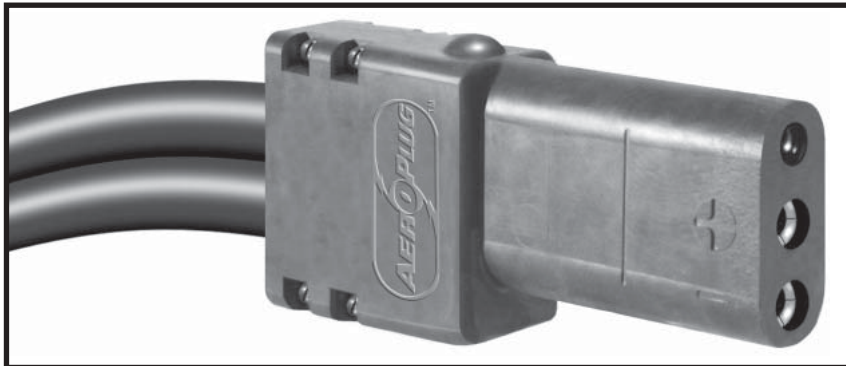


| AeroPlug® PART NUMBER | MILITARY PART NO. | CABLE ACCOMODATION | AeroPlug® RECEPTACLE NO. | CONFIG. |
|----------------------------------|------------------------------|--|-------------------------------------|----------------|
| AOP-DCP-2 | MS25487 | 2-4/0, 1-#8 SINGLE CONDUCTOR MIL-C-5756 | AOP-DCR-4 | |
| AOP-DCP-3 | OVAL FRONT | 2-4/0 SINGLE AND 1-#10 TWIN CONDUCTOR MIL-C-5756 | AOP-DCR-2 | |

Consult the factory for special cable sizes and configurations.



DC Cable Assemblies (3-Pole)

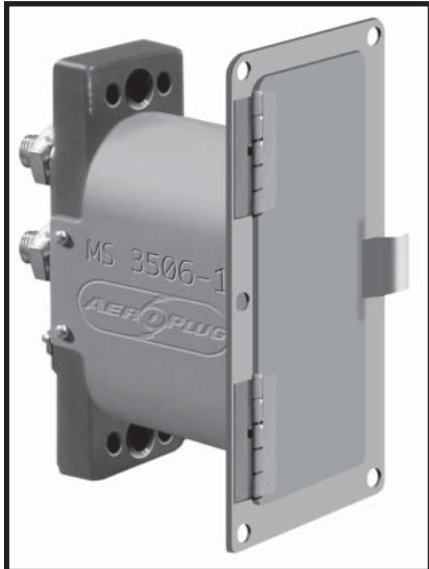


| AeroPlug® PART NUMBER | LENGTH FT. | MILITARY PART NO. | CABLE DESCRIPTION | ASSEMBLY CONFIGURATION |
|--|-----------------------------------|--|---|-----------------------------------|
| CTC90347- 7 CTC90347- 8 CTC90347- 9 CTC90347-10 CTC90347-11 CTC90347-12 | 20 30 40 60 80 100 | MS90347- 7 MS90347- 8 MS90347- 9 MS90347-10 MS90347-11 MS90347-12 | 2-1/0 AWG SINGLE CONDUCTORS, NO CONTROL LEAD, SILVERPLATED CONTACTS, AND NON-METALLIC BANDS | |
| CTC90347-13 CTC90347-14 CTC90347-15 CTC90347-16 CTC90347-17 CTC90347-18 | 20 30 40 60 80 100 | MS90347-13 MS90347-14 MS90347-15 MS90347-16 MS90347-17 MS90347-18 | 2-2/0 AWG SINGLE CONDUCTORS, NO CONTROL LEAD, SILVERPLATED CONTACTS, AND NON-METALLIC BANDS | |
| CTC90347-19 CTC90347-20 CTC90347-21 CTC90347-22 CTC90347-23 CTC90347-24 | 20 30 40 60 80 100 | MS90347-19 MS90347-20 MS90347-21 MS90347-22 MS90347-23 MS90347-24 | 2-4/0 AWG SINGLE CONDUCTORS, NO CONTROL LEAD, SILVERPLATED CONTACTS, AND NON- METALLIC BANDS | |

Consult the factory for special cable sizes and configurations.

**Nabson, Inc. 480 Neponset Street - Unit 10c Canton, Massachusetts 02021 USA
Tel (781) 821-9622 - Fax (781) 821-9627**

DC Receptacles (3-Pole)



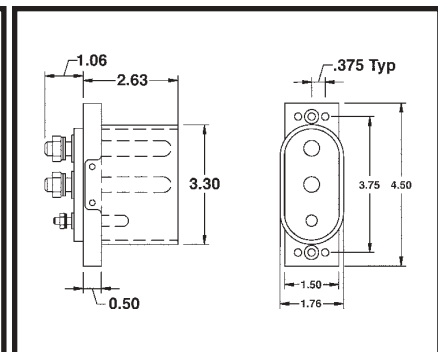
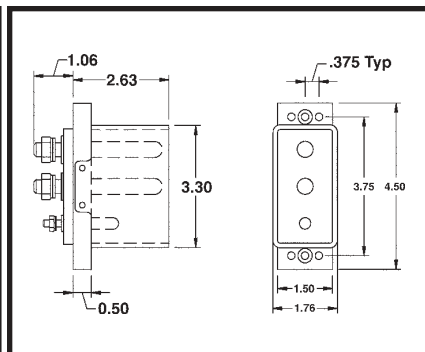
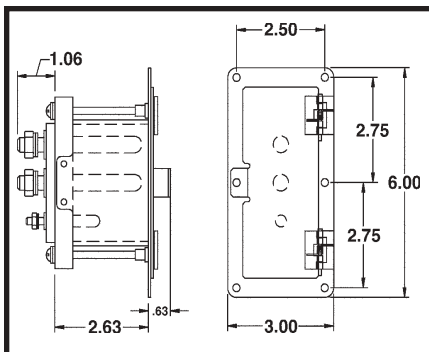
Receptacle with Oval Shield and Cover



Receptacle with Rectangular Shield



Receptacle with Oval Shield



| AeroPlug® PART NUMBER | MILITARY PART NO. | DESCRIPTION | MATING PLUG AND CABLE ASSEMBLY |
|----------------------------------|------------------------------|--|---|
| AOP-DCR-1 | MS3506-1 | RECEPTACLE WITH OVAL SHIELD | CP1765 PLUGS AND CTC90347 CABLES |
| AOP-DCR-2 | - | RECEPTACLE ONLY | |
| AOP-DCR-3 | - | RECEPTACLE OVAL SHIELD AND FLANGED COVER | |
| AOP-DCR-4 | MS25018-2 | RECEPTACLE WITH RECTANGULAR SHIELD | AOP-DCP PLUGS AND MS25019 CABLES |
| AOP-DCR-5 | - | RECEPTACLE W/RECTANGULAR SHIELD AND FLANGED COVER | |

Receptacles meet all the requirements of MIL-C-81790.

Nabson, Inc. 480 Neponset Street - Unit 10c Canton, Massachusetts 02021 USA
Tel (781) 821-9622 - Fax (781) 821-9627

Distributed by:



***Nabson, Inc. 480 Neponset Street - Unit 10c Canton, Massachusetts 02021 USA
Tel (781) 821-9622 - Fax (781) 821-9627***